

# Automatic Washbasin Taps SLU 08LN, SLU 08LND



SLU 08LND

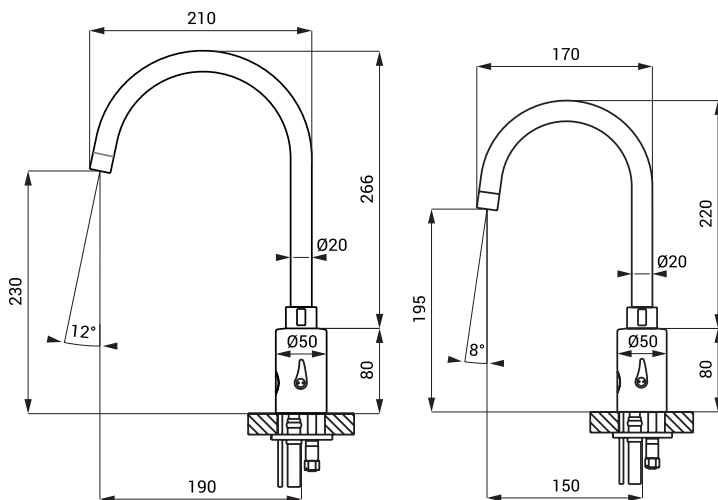
SLU 08LN

## Characteristics



- economical aerator, rate of flow 6 l/min
- hygienic flush
- suitable for medical facilities
- swivel faucet
- index „D“ - higher faucet
- are destined for cold and hot water, temperature is regulated by mixer
- water is flowing as long as hands are in the active range
- water stops flowing after removal of hands from the active range of sensor after adjustable time delay (can be set in range 0,25 – 7,75 s)
- function of automatic water stop after 5 minut of continuous flow
- monitoring of battery capacity (for models with index B)
- START/STOP program
- parameter adjustment using by the remote control SLD 03

## Dimensions



SLU 08LND

SLU 08LN

## Technical Specification

### Operating voltage

- SLU 08LN, 08LND 24 V DC
- SLU 08LNB, 08LNDDB 6V

### Power input

- operating by 24 V DC 14 W
- operating by 6 V 6 W

### Battery life

- 4 pcs. AA alkaline batteries approx. 2 years (100 uses per day)
- AA, 1,5 V, 2700 mAh

### Active range

- standard 0,2 - 0,26 m
- START/STOP program 0,05 - 0,15 m

### Recommended flow pressure

- 0,1 - 0,6 MPa

### Rate of flow

- 13 l/min. or 6 l/min. (inf. data)

### Water inlet

- male thread G 1/2"

## Supply Specification

- |             |                    |   |
|-------------|--------------------|---|
| SLU 08LN    | - Supply No. 13181 | faucet with mixer and electronics and electromagnetic valve, connecting hoses,        |
| SLU 08LNB   | - Supply No. 13086 | angle valve with filter and check valve (2 pcs.), aerator 6 l/min, 4 pcs. AA alkaline |
| SLU 08LND   | - Supply No. 13183 | batteries 1,5 V, 2700 mAh with battery case (for models with index B)                 |
| SLU 08LNDDB | - Supply No. 13088 |   |

## Recommended Accessories

- |         |                    |  |
|---------|--------------------|--|
| SLZ 01Y | - Supply No. 05012 | power supply 24 V DC for operating of max. 10 pcs. of washbasin taps               |
| SLZ 01Z | - Supply No. 05011 | power supply 24 V DC for operating of max. 20 pcs. of washbasin taps               |
| SLZ 04Y | - Supply No. 05042 | power supply 24 V DC for DIN rail, for operating of max. 10 pcs. of washbasin taps |
| SLZ 04Z | - Supply No. 05041 | power supply 24 V DC for DIN rail, for operating of max. 20 pcs. of washbasin taps |
| SLZ 04X | - Supply No. 10049 | power supply 24 V DC for DIN rail, for operating of max. 30 pcs. of washbasin taps |
| SLZ 06  | - Supply No. 05060 | power supply 24 V DC for operating of max. 1 pc. of washbasin tap                  |
| SLD 03  | - Supply No. 07030 | remote control for an adjustment of parameters                                     |
| SLA 36  | - Supply No. 06360 | set of 4 pcs. alkaline batteries AA, 1,5 V, 2700 mAh (for models with index B)     |