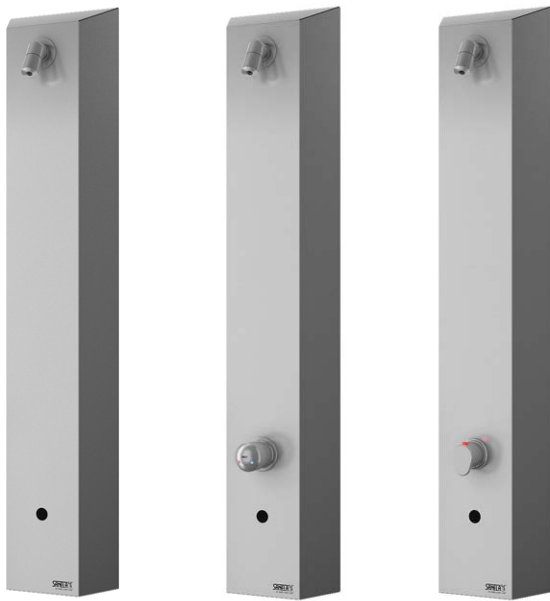


Automatic Stainless Steel Shower Panels

SLSN 01E, SLSN 02E, SLSN 02ET



SLSN 01E

SLSN 02E

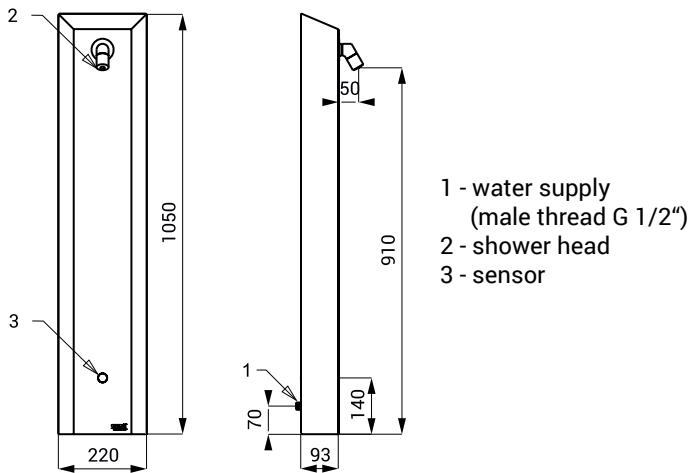
SLSN 02ET

Characteristics

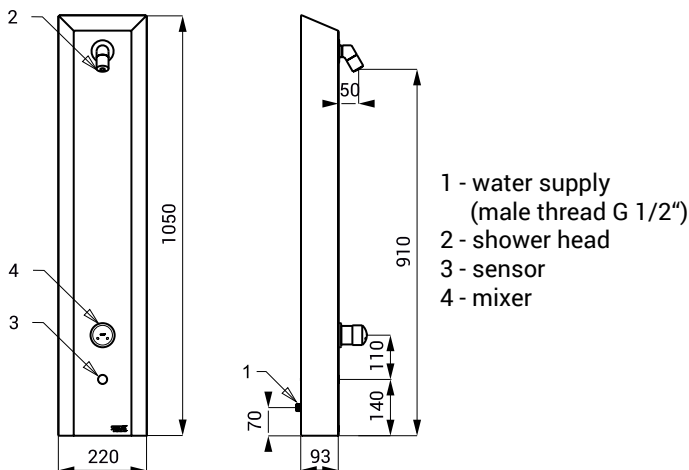


- hygienic flush
- vandalproof
- stainless steel wall hung shower panels with integrated infra-red electronics
- with possibility to set an angle of water
- SLSN 01E is destined for cold or premixed water
- SLSN 02E is destined for cold and hot water, temperature is regulated by mixer
- SLSN 02ET is destined for cold and hot water, temperature is regulated by thermostatic mixer
- safety fuse against scalding (SLSN 02ET)
- water starts to flow immediately after entrance of user to the active range of sensor
- water stops flowing after adjustable flowing time (can be set in 0,25 – 7,75 s), standard 3 s
- function of automatic water stop after 5 minut of continuous flow
- monitoring of battery capacity (for models with index B)
- START/STOP program
- parameter adjustment using by the remote control SLD 03
- material AISI - 304
- brushed finish

Dimensions



SLSN 01E



SLSN 02E

Technical Specification

Operating voltage

- SLSN 01E, SLSN 02E, SLSN 02ET 24 V DC
- SLSN 01EB, SLSN 02EB, SLSN 02ETB 6 V

Power input

- operating by 24 V DC 7 W
- operating by 6 V 3 W

Battery life

- 4 pcs. AA alkaline batteries 1,5 V, 2700 mAh approx. 2 years (100 uses per day)

Active range

- standard 0,27 - 0,35 m

Recommended flow pressure

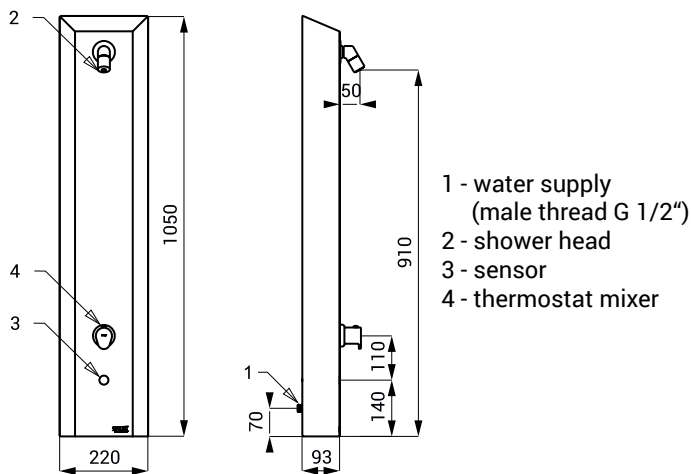
- 0,1 - 0,6 MPa

Rate of flow

- 9 l/min. (inf. data)

Water inlet

- male thread G 1/2"



SLSN 02ET

Supply Specification

- SLSN 01E** - **Supply No. 92011** stainless steel shower panel with electronics, electromagnetic valve (1 pc.), connecting hoses, angle valve with filter (1 pc.), 4 pcs. AA alkaline batteries 1,5 V, 2700 mAh (SLSN 01EB)
- SLSN 02E** - **Supply No. 92021** stainless steel shower panel with electronics, electromagnetic valve (1 pc.), mixer, connecting hoses, angle valve with filter and check valve (2 pcs.), 4 pcs. AA alkaline batteries 1,5 V, 2700 mAh (SLSN 02EB)
- SLSN 02ET** - **Supply No. 92022** stainless steel shower panel with electronics, electromagnetic valve (1 pc.), thermostatic mixer, connecting hoses, angle valve with filter and check valve (2 pcs.), 4 pcs. AA alkaline batteries 1,5 V, 2700 mAh (SLSN 02ETB)

Recommended Accessories

- SLZ 01Y** - **Supply No. 05012** power supply 24 V DC for operating of max. 5 pcs. of showers
- SLZ 01Z** - **Supply No. 05011** power supply 24 V DC for operating of max. 9 pcs. of showers
- SLZ 04Y** - **Supply No. 05042** power supply 24 V DC for DIN rail, for operating of max. 5 pcs. of showers
- SLZ 04Z** - **Supply No. 05041** power supply 24 V DC for DIN rail, for operating of max. 9 pcs. of showers
- SLZ 04X** - **Supply No. 10049** power supply 24 V DC for DIN rail, for operating of max. 15 pcs. of showers
- SLZ 06** - **Supply No. 05060** power supply 24 V DC for operating of max. 1 pc. of shower
- SLD 03** - **Supply No. 07030** remote control for an adjustment of parameters
- SLT 04** - **Supply No. 09040** thermostatic valve 3/4", rate of flow 28 l/min by the pressure 0,1 MPa
- SLT 05** - **Supply No. 09050** thermostatic valve 1/2", rate of flow 42 l/min by the pressure 0,1 MPa
- SLA 36** - **Supply No. 06360** set of 4 pcs. alkaline batteries AA, 1,5 V, 2700 mAh (for models with index B)