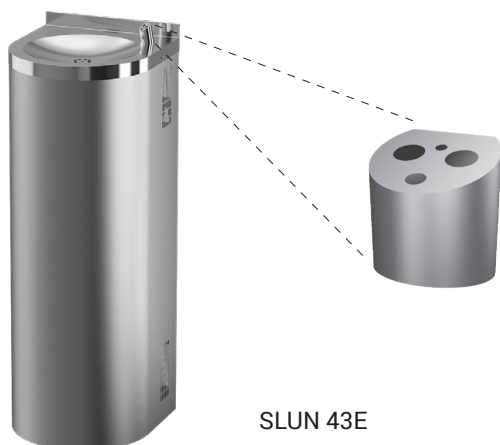


# Stainless Steel Automatic Drinking Fountain SLUN 43E



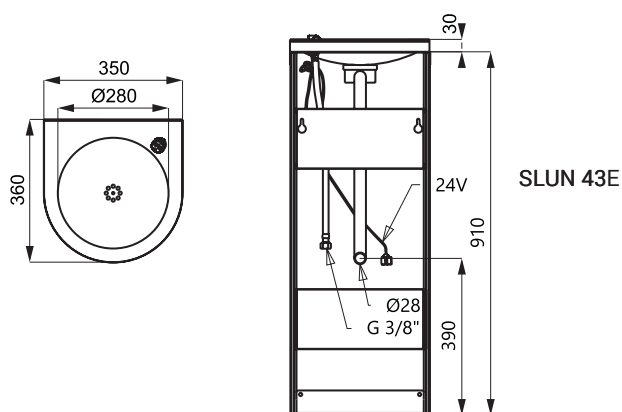
SLUN 43E

## Characteristics

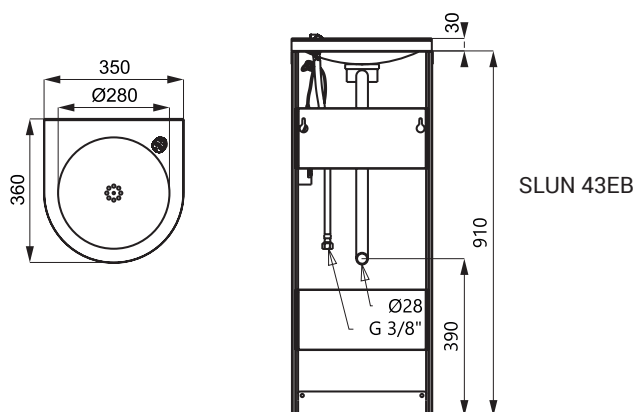


- **hygienic flush**
- stainless steel floor standing drinking fountain with automatic infra-red drinking spout
- mounting to the wall
- system reacts to the user's face in front of the sensor
- water stops after user leaving the active range of the sensor
- function of automatic water stop after 5 minut of continuous flow
- monitoring of battery capacity (for models with index B)
- START/STOP program
- parameter adjustment using by the remote control SLD 03
- water flow regulation on drinking spout
- filled with expanded polyurethane (to avoid dents and typical metal noise)
- material stainless steel AISI 304 (1.4301)
- inner bowl high polished finish, apron brushed finish

## Dimensions



SLUN 43E



SLUN 43EB

## Technical Specification

### Dimensions

- SLUN 43E 940 x 360 x 350 mm
- SLUN 43EB 940 x 360 x 350 mm

### Weight

- SLUN 43E 11,6 kg
- SLUN 43EB 12,1 kg

### Operating voltage

- SLUN 43E 24 V DC
- SLUN 43EB 6 V DC

### Power input

- operating by 24 V DC 7 W
- operating by 6 V 3 W

### Battery life

- 4 pcs. AA alkaline batteries approx. 2 years (100 uses per day)

### Active range

- 0,23 - 0,31 m

### Recommended flow pressure

- 0,1 - 0,6 MPa

### Rate of flow

- 1,4 l/min. (inf. data)

### Water inlet

- male thread G 1/2"

## Supply Specification

SLUN 43E - Supply No. 83437  
SLUN 43EB - Supply No. 83436

stainless steel drinking fountain, drinking spout with electronics, electromagnetic valve (1 pc.), angle valve with filter and check valve (1 pc.), connecting hoses, siphon, 4 pcs. AA alkaline batteries 1,5 V, 2700 mAh (SLUN 43EB)

## Recommended Accessories

SLZ 01Y	- Supply No. 05012	power supply 24 V DC for operating of max. 5 pcs. of spouts
SLZ 01Z	- Supply No. 05011	power supply 24 V DC for operating of max. 9 pcs. of spouts
SLZ 04Y	- Supply No. 05042	power supply 24 V DC for DIN rail, for operating of max. 5 pcs. of spouts
SLZ 04Z	- Supply No. 05041	power supply 24 V DC for DIN rail, for operating of max. 9 pcs. of spouts
SLZ 04X	- Supply No. 10049	power supply 24 V DC for DIN rail, for operating of max. 15 pcs. of spouts
SLD 03	- Supply No. 07030	remote control for an adjustment of parameters
SLA 36	- Supply No. 06360	set of 4 pcs. alkaline batteries AA, 1,5 V, 2700 mAh (for models with index B)