

# Piezo Toilet Flushing Unit SLW 10P



SLW 10P

## Characteristics



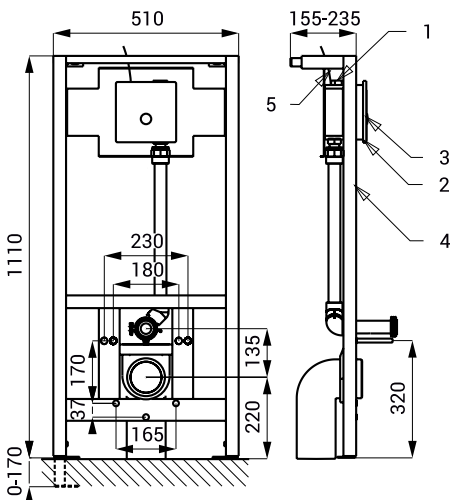
- vandal-proof
- including pre-installed mounting frame SLR 03
- is destined for the brick wall
- five-point system for fixing of stainless steel toilets
- metal frame construction with surface finishing - blue powder coated
- mounting screws M10, waste pipe holder with connecting set Ø 50 mm and waste pipe holder with the elbow pipe Ø 110 mm
- toilet flushing unit for a pressure water from water distribution, isn't possible to use it for toilet with tank
- water flows after soft push of the piezo button
- adjustable flushing time 0,5 - 15,5 s, standard 8 s
- automatic hygiene flush after each eighth flush or 24 hours non using of toilet
- monitoring of battery capacity (for models with index B)
- parameters adjustment by remote control SLD 04

## Installation Drawing

## Technical Specification

<b>Stainless steel cover dimension</b>	170 x 160 x 10 mm
<b>Mounting box dimension</b>	150 x 150 x 100 mm
<b>Mounting frame dimensions</b>	1120 - 1290 x 510 x 155 - 235 mm

<b>Operating voltage</b>	
▪ SLW 10P	24 V DC
▪ SLW 10PB	6 V
<b>Power input</b>	
▪ operating by 24 V DC	7 W
▪ operating by 6 V	3 W
<b>Recommended flow pressure</b>	0,15 - 0,6 MPa
<b>Rate of flow</b>	70 l/min. (inf. data)
<b>Water inlet</b>	Ø min. 32 mm (PN 16) male thread G 1" inlet fitting with a rubber sealing
<b>Water outlet</b>	



- 1 - water inlet
- 2 - stainless steel cover with electronics
- 3 - piezo button
- 4 - mounting frame SLR 03
- 5 - power supply 24 V DC (SLW 10P)

## Supply Specification

SLW 10P - Supply No. 04103	stainless steel cover with electronics, stainless steel mounting box with brass screw coupling and electromagnetic valve, inlet fitting with a rubber sealing,
SLW 10PB - Supply No. 04104	4 pcs. AA alkaline batteries 1,5 V 2700 mAh (SLW 10PB), mounting frame SLR 03

## Recommended Accessories

SLZ 01Y - Supply No. 05012	power supply 24 V DC for operating of max. 5 pcs. of flushing units
SLZ 01Z - Supply No. 05011	power supply 24 V DC for operating of max. 9 pcs. of flushing units
SLZ 04Y - Supply No. 05042	power supply 24 V DC on DIN rail, for operating of max. 5 pcs. of flushing units
SLZ 04Z - Supply No. 05041	power supply 24 V DC on DIN rail, for operating of max. 9 pcs. of flushing units
SLZ 04X - Supply No. 10049	power supply 24 V DC on DIN rail, for operating of max. 15 pcs. of flushing units
SLD 04 - Supply No. 07040	remote control for an adjustment of parameters
SLA 36 - Supply No. 06360	set of 4 pcs. alkaline batteries AA 1,5 V, 2700 mAh (for models with index B)